



## **ProPower™ PSW152 Subwoofer**

### **Congratulations!**

You have just purchased one of the finest subwoofer speakers on the market today. The ProPower™ PSW152 was developed using the expertise of professional sound engineers and working musicians. You will find your new NADY AUDIO speaker has superior performance and greater flexibility than any other subwoofer speakers in its price range. We recommend that you read this instruction sheet carefully to get the most out of your new unit. Thanks for selecting NADY AUDIO and the PSW152 as your choice in subwoofer speakers. Ruggedly built, exceptional sound, most affordably priced – the ProPower™ PSW152 from Nady Audio delivers the best value in subwoofer speakers.

### **FEATURES AND SPECIFICATIONS**

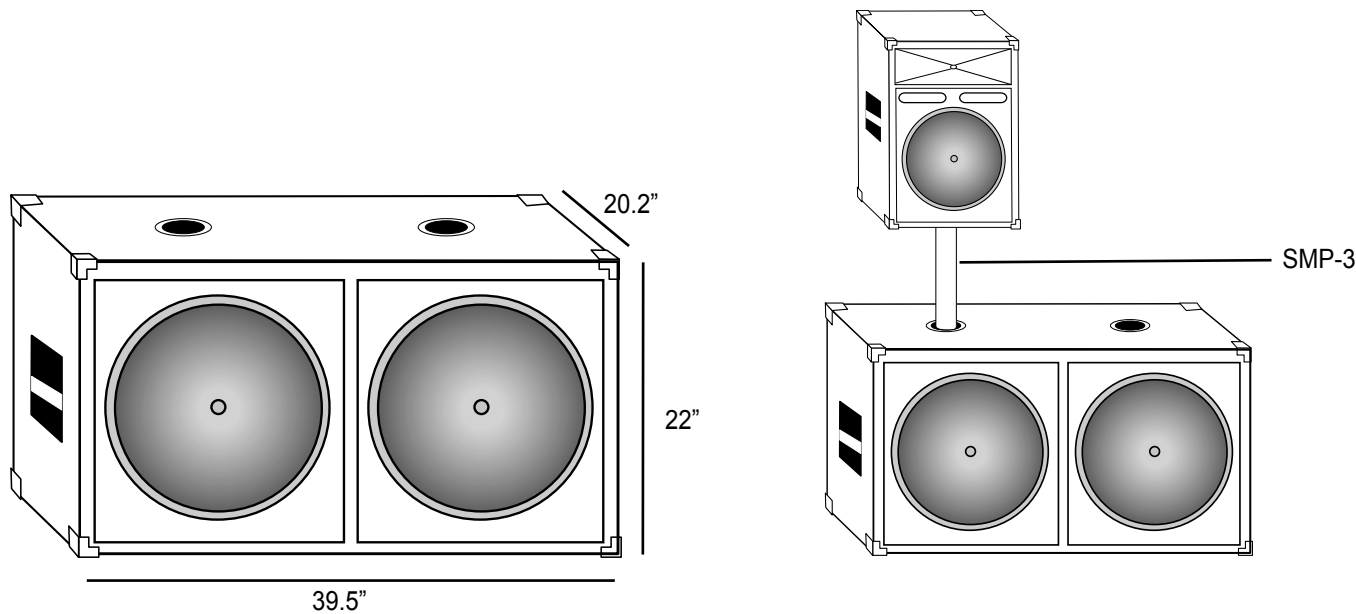
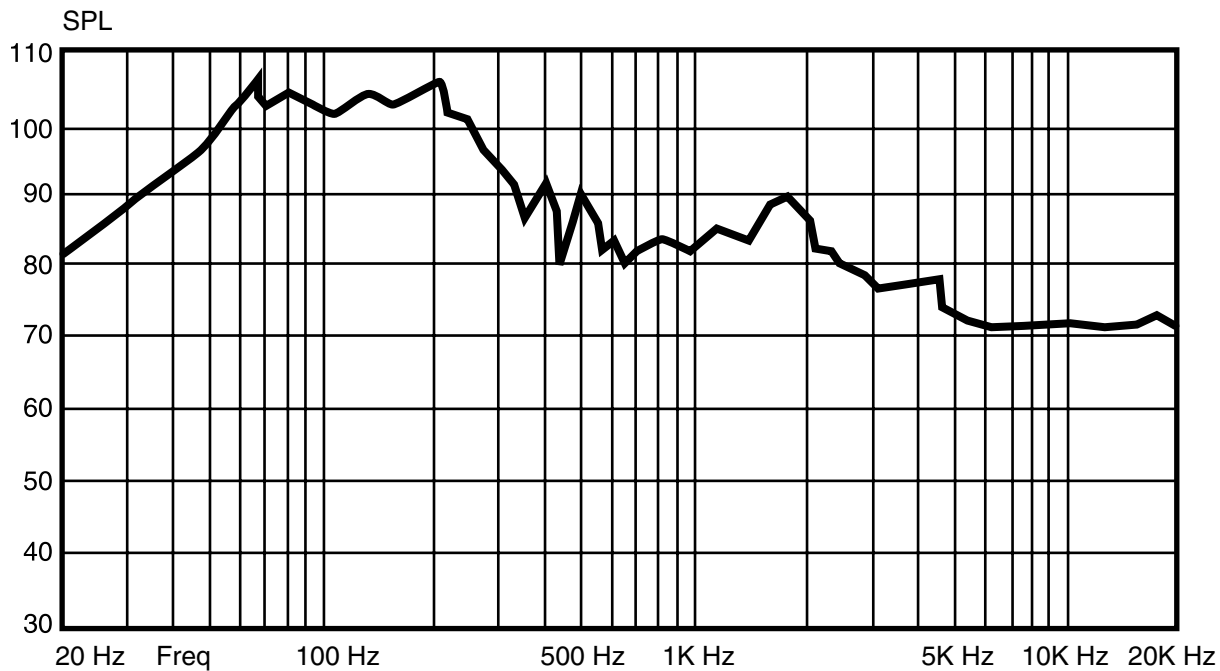
- Dual 15" front angle-loaded bass reflex subwoofers
- Peak power 800W (400W RMS)
- Direct coupled — external active crossover required
- Durable black carpet cover
- Heavy duty plastic protective corners
- Binding post (banana jack) and two 1/4" (6.3 mm) jack inputs for easy daisy-chaining
- Response: 20-400Hz
- 4Ω impedance
- Sensitivity (1W/1M): 97dB
- Max SPL: 107dB @1M
- Voice Coil: 2.5" dia.
- Magnet: 60 oz.
- Weight: 107 lbs (49 Kg)
- Dimensions (WDH): 39.5" x 22" x 20.2" (100 cm x 56 cm x 51 cm)
- Dual mounting pole adapters
- Optional SMP-3 speaker mounting pole available

### **WARNINGS IMPORTANT SAFETY INSTRUCTIONS**

When using this speaker, basic precautions should always be taken, including the following:

- Read all instructions before using the product.
- This product may be capable of producing sound levels that could cause permanent hearing loss. Do not operate for a long period of time at a high volume level or at a level that is uncomfortable. If you experience any hearing loss or ringing in the ears, you should consult an audiologist.
- To avoid damage to the drivers, never overload the speaker.
- To avoid the risk of fire, do not ever expose the speaker to a source of naked flames. Also, it should be located away from heat sources such as radiators, heat vents, or other devices (including amplifiers) that produce heat.
- The product should be positioned so that proper ventilation is maintained.
- This speaker is designed for indoor use only. Do not expose to weather or high humidity, rain, etc.
- Care should be taken so that objects do not fall into, and liquids are not spilled through, the enclosure's openings. Do not place containers of liquids on the speaker.
- Don't place any heavy appliance or object (>130lbs/60kg) on the speaker enclosure.
- This unit is to be installed by qualified personnel only.
- This speaker is only to be used with power amplifiers complying with the safety requirement of EN or IEC60065.
- This product should be serviced by qualified service personnel if:
  - A. Objects have fallen into, or liquid has been spilled onto the product.
  - B. The product has been exposed to rain.
  - C. The product does not appear to operate normally or exhibits a marked change in performance.
  - D. The product has been dropped, or the enclosure damaged.
- Do not attempt to service this unit. All servicing should be referred to qualified service personnel.

**FREQUENCY RESPONSE**



**SERVICE** FOR YOUR NADY AUDIO PRODUCT

**(U.S.)** Should your NADY AUDIO product require service, please contact the Nady Service Department via telephone at (510) 652-2411 or e-mail at [service@nady.com](mailto:service@nady.com).

**(International)** For service, please contact the NADY AUDIO distributor in your country through the dealer from whom you purchased this product.

